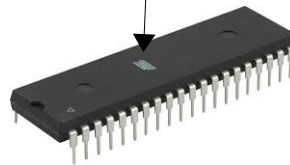
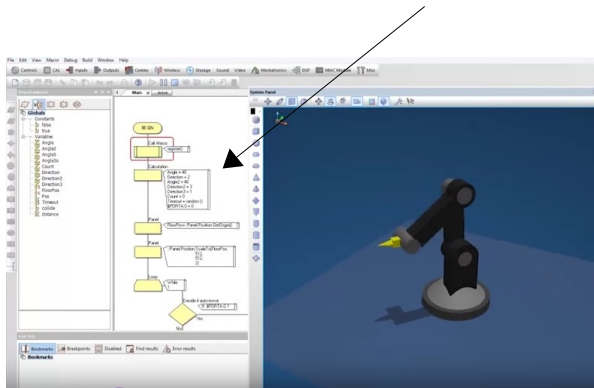
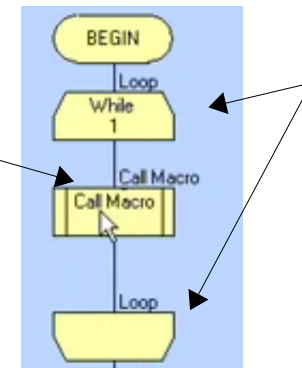
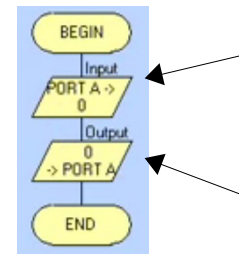


What is Flowcode usefull for ? \_\_\_\_\_



The tools :



What we can control :

